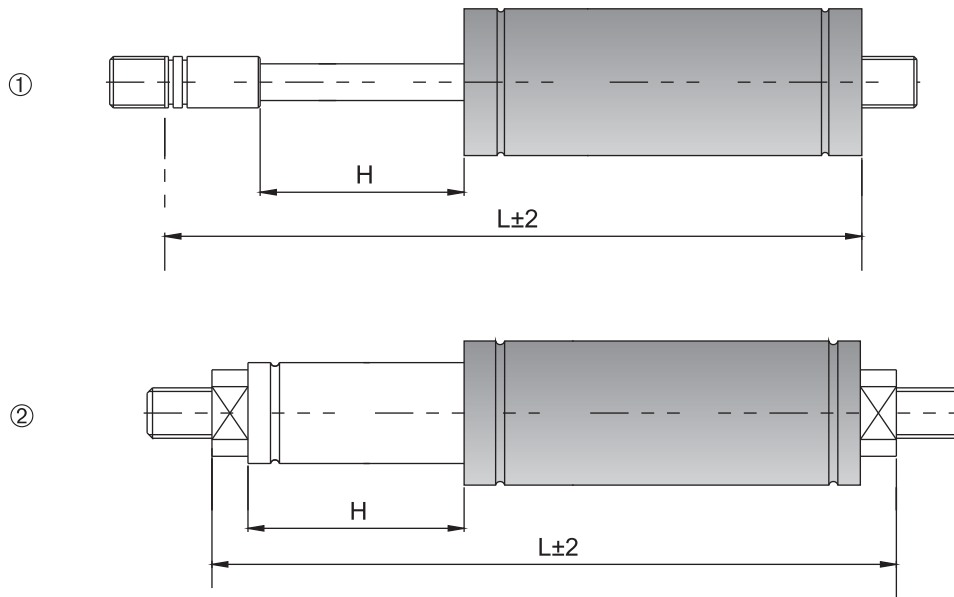


Rostfreie Gaszugfedern Stainless tension springs

Kolbenstange
Piston rod
Druckrohr
Cylinder
Anschlüsse
Fittings

W. 1.4305 / AISI 303
AISI 303
W. 1.4301 / AISI 304
AISI 304
W. 1.4305 / AISI 303
AISI 303



Hohe Korrosionsbeständigkeit, Ventil, Edelstahl-Design
High corrosion resistance, valve, stainless steel design

Typ Type	Ausschubkraft F1 (Newton) Extension force	Standardlänge GL (mm) Standard length	Progression Progression	Extras Extras
Z 06 19 ①	30-330	$L = 2 \times H + 100$	10%	6
Z 10 28 ①	150-1200	$L = 2 \times H + 100$	20%	6
Z 10 40 ①	200-2000N	$L = 2 \times H + 150$	40%	6
Z 28 40 ②	500-5000N	$L = 2,5 \times H + 125$	40%	6

Kolbenstangen, Zylinderanschlüsse und Standardhübe entsprechen der jeweiligen Standardbaureihe Normalstahl. Augenanschlüsse am Zylinder entsprechen dem jeweiligen Kolbenstangenanschluss.

Piston rods, end fittings and strokes are equivalent to the according standard series in normal steel. Eyelets on the cylinder are equivalent to the according piston rod end fittings.